

Pressure Booster System

# DeltaSolo D

## Type Series Booklet



## **Legal information/Copyright**

Type Series Booklet DeltaSolo D

All rights reserved. The contents provided herein must neither be distributed, copied, reproduced, edited or processed for any other purpose, nor otherwise transmitted, published or made available to a third party without the manufacturer's express written consent.

Subject to technical modification without prior notice.

© KSB SE & Co. KGaA, Frankenthal 2023-02-09

---

## Contents

<b>Building Services: Water Supply .....</b>	<b>4</b>
Pressure Booster Systems .....	4
DeltaSolo D .....	4
Main applications .....	4
Fluids handled .....	4
Operating data .....	4
Design details .....	4
Designation .....	5
Configuration and function .....	5
Materials .....	6
Product benefits .....	6
Product information .....	6
Selection information .....	7
Technical data .....	8
Selection chart .....	10
Characteristic curves .....	11
Dimensions .....	20
Scope of supply .....	25
Accessories .....	25

## Building Services: Water Supply

### Pressure Booster Systems

# DeltaSolo D



#### Main applications

- Spray irrigation systems
- General irrigation systems
- Service water supply systems
- Domestic water supply
- Rainwater harvesting
- Water supply systems

#### Fluids handled

- Drinking water
- Service water
- Cooling water
- Fluids not chemically or mechanically aggressive to the materials

#### Operating data

Table 1: Operating properties

Characteristic		Value
Flow rate	Q [m <sup>3</sup> /h]	≤ 110
	Q [l/s]	≤ 30,6
Head	H [m]	≤ 160
Fluid temperature	T [°C]	≥ 0
		≤ +70
Operating pressure	p [bar]	≤ 16

#### Design details

##### Design

- Fully automatic pressure booster package system
- Discharge-side, direct-flow membrane-type accumulator, approved for drinking water
- Pressure gauge

##### Installation

- Stationary dry installation

##### Drive

- Three-phase asynchronous squirrel-cage motor
- Efficiency class IE3 to IEC 60034-30
- 220 – 240 V / 380 – 420 V, 380 – 420 V / 660 – 720 V
- Enclosure IP55
- Thermal class F
- DOL starting up to and including 4 kW
- Star-delta starting ≥ 5.5 kW

##### Automation

- Control unit for pressure-controlled starting and stopping
- Control unit (IP54 enclosure)
- LEDs indicate faults and lack of water
- Motor protection switch
- Manual-0-automatic selector switch
- Timer for 24-hour functional check run
- Terminal strip with markings for all connections
- Volt-free contacts for operation, fault, lack of water
- Lockable master switch (repair switch)

## Designation

Example: DeltaSolo D 1 / 0405 / 2 B

Table 2: Designation key

Code	Description
DeltaSolo	Type series
D	Three-phase current
1	Number of pumps
04	Pump size
05	Number of stages
2	Inlet pressure [bar]
B	Design status

## Configuration and function



Fig. 1: Illustration of the pressure booster system

1	Pump	4	Pressure gauge
2	Accumulator	5	Control unit
3	Check valve	6	Shut-off valve

### Design

The fully automatic pressure booster system is equipped with a non-self-priming vertical high-pressure pump (1) for pumping the fluid handled to the consumer installations in the set pressure range.

### Function

The pump set is started and stopped as a function of pressure via the electro-mechanical control system. If the pressure drops below the set start-up pressure  $p_E$ , the pump is started up via the pressure switch. When consumption decreases again, the pump set is stopped as a function of pressure after the set after-run period (up to 3 minutes). The integrated dry running protection is enabled in manual mode and automatic mode. In the event of dry running the pressure booster system stops after approx. 10 seconds (factory setting).

## Materials

**Table 3:** Overview of available materials

Part No.	Description	Material
<b>Pump</b>		
101	Pump casing	Stainless steel
101	Pump shroud	Stainless steel
655	Hydraulic system	Stainless steel
-	Sealing element	EPDM
-	Plain bearing	Aluminium oxide
433	Mechanical seal	To EN 12756
433.01	Primary ring	Silicon carbide
433.02	Mating ring	Hard carbon
-	Elastomer	EPDM
<b>Hydraulic design</b>		
-	Piping	Chrome steel
-	Heat sink	Die-cast aluminium
-	Casing cover	PBT, glass fibre reinforced
-	Accumulator	Connection made of stainless steel, flow through valve to DIN 4807-5
-	Membrane	Approved for drinking water

### Product benefits

- Corrosion-resistant design with high-quality stainless steel
- Very compact, space-saving design

### Product information

#### Product information as per Regulation No. 1907/2006 (REACH)

For information as per European chemicals regulation (EC) No. 1907/2006 (REACH) see <https://www.ksb.com/en-global/company/corporate-responsibility/reach>.

**Selection information**

**Selecting the pressure booster system**

**Requirements**

Specify the operating points:

- Flow rate: 18 m<sup>3</sup>/h
- Head: 60 m

Calculation:

1. Transferring the values to the selection chart to select the corresponding pump size.

⇒ At an inlet pressure  $p_{inl} = 0$  bar: Movitec 15/05

⇒ DeltaSolo D / 1505/0

Determining the power input:

The value P [kW] determined in the characteristic curve refers to the power per stage.

- Normal stage (St = 1)
- Stage with a smaller impeller (St = -1)

**1st example**

Movitec .../11 (11 stages)

$P = \text{power/stage} \times 11$

**2nd example**

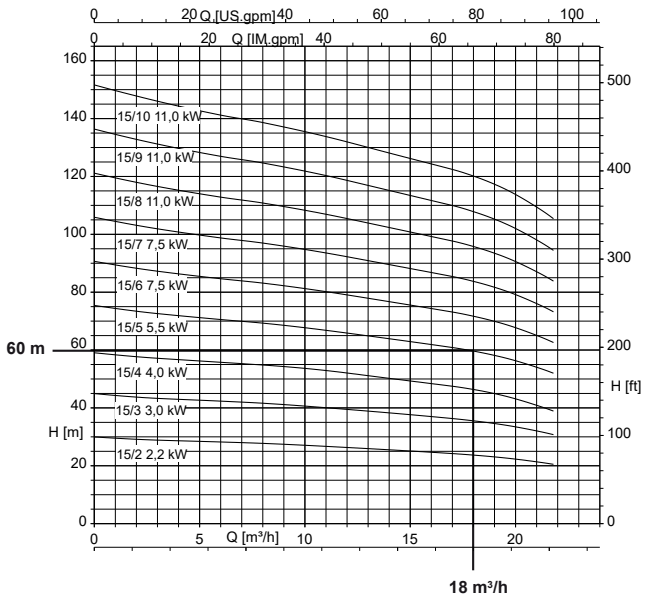
Movitec .../11-1 (11 stages, 1 stage with a smaller impeller)

$P = \text{power} / \text{stage} \times (10 + -1)$

**3rd example**

Movitec .../11-2 (11 stages, 2 stages with a smaller impeller)

$P = \text{power} / \text{stage} \times (9 + -2)$



Characteristic curve for determining the pressure booster system (example)

**Technical data**
**DeltaSolo D with Movitec V**
**Table 4: Technical data**

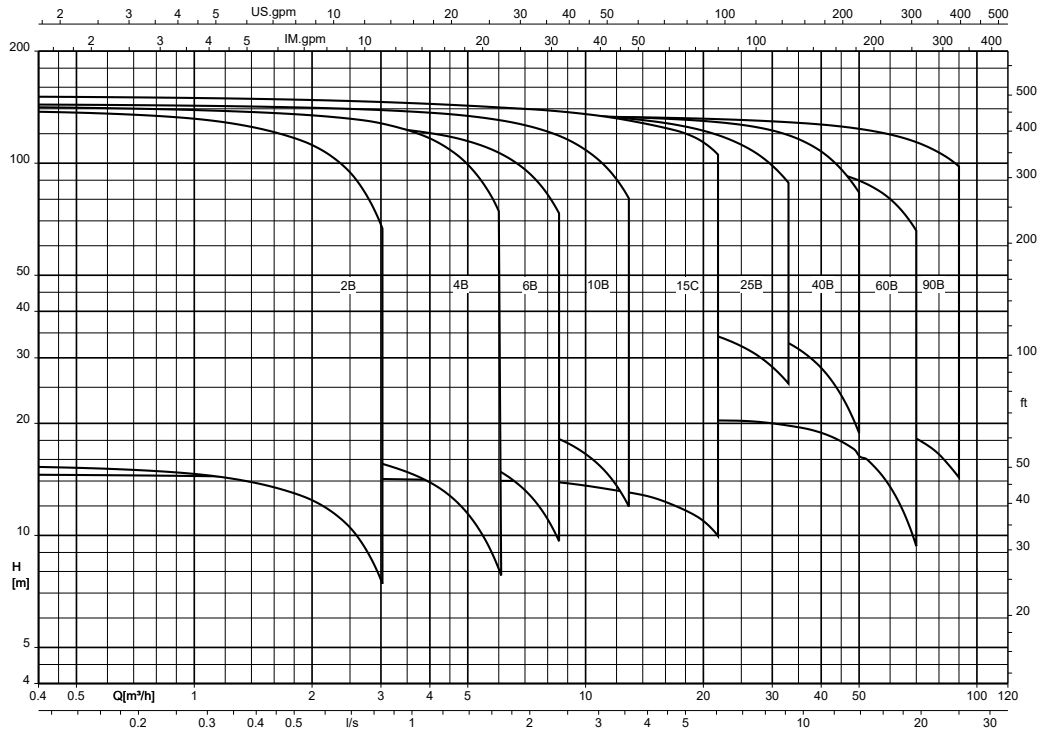
Size	Connection		Nominal power	Nominal current	Total rated power	Mat. No.	[kg]
			$P_N$	$I_N$			
	Suction side	Discharge side	[kW]	3~400 V, 50 Hz [A]	[kVA]		
1/0202 B	G 1	R 1	0,37	0,94	0,70	48246000	64
1/0203 B	G 1	R 1	0,37	0,94	0,70	48246001	64
1/0204 B	G 1	R 1	0,37	0,94	0,70	48246002	65
1/0205 B	G 1	R 1	0,37	0,94	0,70	48246003	65
1/0206 B	G 1	R 1	0,55	1,33	0,90	48246004	68
1/0207 B	G 1	R 1	0,55	1,33	0,90	48246005	68
1/0208 B	G 1	R 1	0,55	1,33	0,90	48246006	68
1/0209 B	G 1	R 1	0,75	1,68	1,20	48246007	71
1/0210 B	G 1	R 1	0,75	1,68	1,20	48246008	71
1/0211 B	G 1	R 1	1,10	2,40	1,70	48246009	74
1/0212 B	G 1	R 1	1,10	2,40	1,70	48246010	74
1/0214 B	G 1	R 1	1,10	2,40	1,70	48246011	75
1/0216 B	G 1	R 1	1,50	2,92	2,00	48246012	80
1/0218 B	G 1	R 1	1,50	2,92	2,00	48246013	80
1/0402 B	G 1	R 1	0,37	0,94	0,70	48246014	64
1/0403 B	G 1	R 1	0,55	1,33	0,90	48246015	66
1/0404 B	G 1	R 1	0,55	1,33	0,90	48246016	67
1/0405 B	G 1	R 1	0,75	1,68	1,20	48246017	69
1/0406 B	G 1	R 1	1,10	2,40	1,70	48246018	72
1/0407 B	G 1	R 1	1,10	2,40	1,70	48246019	72
1/0408 B	G 1	R 1	1,50	2,92	2,00	48246020	76
1/0409 B	G 1	R 1	1,50	2,92	2,00	48246021	77
1/0410 B	G 1	R 1	1,50	2,92	2,00	48246022	77
1/0411 B	G 1	R 1	2,20	4,15	2,90	48246023	80
1/0412 B	G 1	R 1	2,20	4,15	2,90	48246024	81
1/0414 B	G 1	R 1	2,20	4,15	2,90	48246025	82
1/0416 B	G 1	R 1	3,00	5,59	3,90	48246026	96
1/0602 B	G 1 1/4	R 1 1/4	0,37	0,94	0,70	48246027	65
1/0603 B	G 1 1/4	R 1 1/4	0,75	1,68	1,20	48246028	69
1/0604 B	G 1 1/4	R 1 1/4	1,10	2,40	1,70	48246029	72
1/0605 B	G 1 1/4	R 1 1/4	1,10	2,40	1,70	48246030	73
1/0606 B	G 1 1/4	R 1 1/4	1,50	2,92	2,00	48246031	77
1/0607 B	G 1 1/4	R 1 1/4	1,50	2,92	2,00	48246032	77
1/0608 B	G 1 1/4	R 1 1/4	2,20	4,15	2,90	48246033	81
1/0609 B	G 1 1/4	R 1 1/4	2,20	4,15	2,90	48246034	81
1/0610 B	G 1 1/4	R 1 1/4	2,20	4,15	2,90	48246035	82
1/0611 B	G 1 1/4	R 1 1/4	3,00	5,59	3,90	48246036	92
1/0612 B	G 1 1/4	R 1 1/4	3,00	5,59	3,90	48246037	92
1/0614 B	G 1 1/4	R 1 1/4	3,00	5,59	3,90	48246038	93
1/0616 B	G 1 1/4	R 1 1/4	4,00	7,45	5,20	48246039	103
1/1002 B	G 1 1/2	R 1 1/2	0,75	1,68	1,20	48246040	82
1/1003 B	G 1 1/2	R 1 1/2	1,10	2,40	1,70	48246041	85
1/1004 B	G 1 1/2	R 1 1/2	1,50	2,92	2,00	48246042	90
1/1005 B	G 1 1/2	R 1 1/2	2,20	4,15	2,90	48246043	94
1/1006 B	G 1 1/2	R 1 1/2	2,20	4,15	2,90	48246044	94
1/1007 B	G 1 1/2	R 1 1/2	3,00	5,59	3,90	48246045	103
1/1008 B	G 1 1/2	R 1 1/2	3,00	5,59	3,90	48246046	104
1/1009 B	G 1 1/2	R 1 1/2	4,00	7,45	5,20	48246047	111
1/1010 B	G 1 1/2	R 1 1/2	4,00	7,45	5,20	48246048	112
1/1011 B	G 1 1/2	R 1 1/2	4,00	7,45	5,20	48246049	113



Size	Connection		Nominal power	Nominal current	Total rated power	Mat. No.	[kg]
			$P_N$	$I_N$			
	Suction side	Discharge side	[kW]	[A]	[kVA]		
1/1013 B	G 1 1/2	R 1 1/2	5,50	10,00	6,90	48246050	156
1/1502 C	G 2	R 2	2,20	4,15	2,90	29135190	96
1/1503 C	G 2	R 2	3,00	5,59	3,90	29135191	106,2
1/1504 C	G 2	R 2	4,00	7,45	5,20	29135192	111,6
1/1505 C	G 2	R 2	5,50	10,00	6,90	29135193	154,2
1/1506 C	G 2	R 2	7,50	13,40	9,30	29135194	155,3
1/1507 C	G 2	R 2	7,50	13,40	9,30	29135195	160,6
1/1508 C	G 2	R 2	11,00	19,30	13,40	29135196	218,2
1/1509 C	G 2	R 2	11,00	19,30	13,40	29135197	310,3
1/1510 C	G 2	R 2	11,00	19,30	13,40	29135198	312
1/2502 B	DN 65	DN 65	4,00	7,45	5,20	48246060	141
1/2503 B	DN 65	DN 65	5,50	10,00	6,90	48246061	173
1/2504 B	DN 65	DN 65	7,50	13,40	9,30	48246062	180
1/2505 B	DN 65	DN 65	11,00	19,30	13,40	48246063	267
1/2506 B	DN 65	DN 65	11,00	19,30	13,40	48246064	270
1/2507 B	DN 65	DN 65	15,00	26,20	18,20	48246065	282
1/4002-2 B	DN 80	DN 80	5,50	10,00	6,90	48246066	147
1/4002 B	DN 80	DN 80	7,50	13,40	9,30	48246067	151
1/4003-2 B	DN 80	DN 80	11,00	19,30	13,40	48246068	228
1/4003 B	DN 80	DN 80	11,00	19,30	13,40	48246069	228
1/4004-2 B	DN 80	DN 80	15,00	26,20	18,20	48246070	230
1/4004 B	DN 80	DN 80	15,00	26,20	18,20	48246071	244
1/4005-2 B	DN 80	DN 80	18,50	31,80	22,00	48246072	248
1/4005 B	DN 80	DN 80	18,50	31,80	22,00	48246073	262
1/4006-2 B	DN 80	DN 80	18,50	31,80	22,00	48246074	265
1/4006 B	DN 80	DN 80	22,00	37,60	26,10	48246075	302
1/6001 B	DN 100	DN 100	5,50	10,00	6,90	48246076	156
1/6002-2 B	DN 100	DN 100	7,50	13,40	9,30	48246077	163
1/6002 B	DN 100	DN 100	11,00	19,30	13,40	48246078	238
1/6003-2 B	DN 100	DN 100	15,00	26,20	18,20	48246079	255
1/6003 B	DN 100	DN 100	18,50	31,80	22,00	48246080	259
1/6004-2 B	DN 100	DN 100	18,50	31,80	22,00	48246081	278
1/6004 B	DN 100	DN 100	22,00	37,60	26,10	48246082	318
1/6005-2 B	DN 100	DN 100	22,00	37,60	26,10	48246083	322
1/9002-2 B	DN 100	DN 100	11,00	19,30	13,40	48246084	298
1/9002-1 B	DN 100	DN 100	15,00	26,20	18,20	48246085	304
1/9002 B	DN 100	DN 100	15,00	26,20	18,20	48246086	304
1/9003-2 B	DN 100	DN 100	18,50	37,60	26,10	48246088	332
1/9003-1 B	DN 100	DN 100	22,00	31,80	22,00	48246087	369
1/9003 B	DN 100	DN 100	22,00	37,60	26,10	48246089	369
1/9004-2 B	DN 100	DN 100	30,00	51,60	35,70	48246091	473
1/9004-1 B	DN 100	DN 100	30,00	51,60	35,70	48246090	473
1/9004 B	DN 100	DN 100	30,00	51,60	35,70	48246092	473
1/9005-2 B	DN 100	DN 100	37,00	63,30	43,90	48246093	513
1/9005-1 B	DN 100	DN 100	37,00	63,30	43,90	48246094	513
1/9005 B	DN 100	DN 100	37,00	63,30	43,90	48246095	513

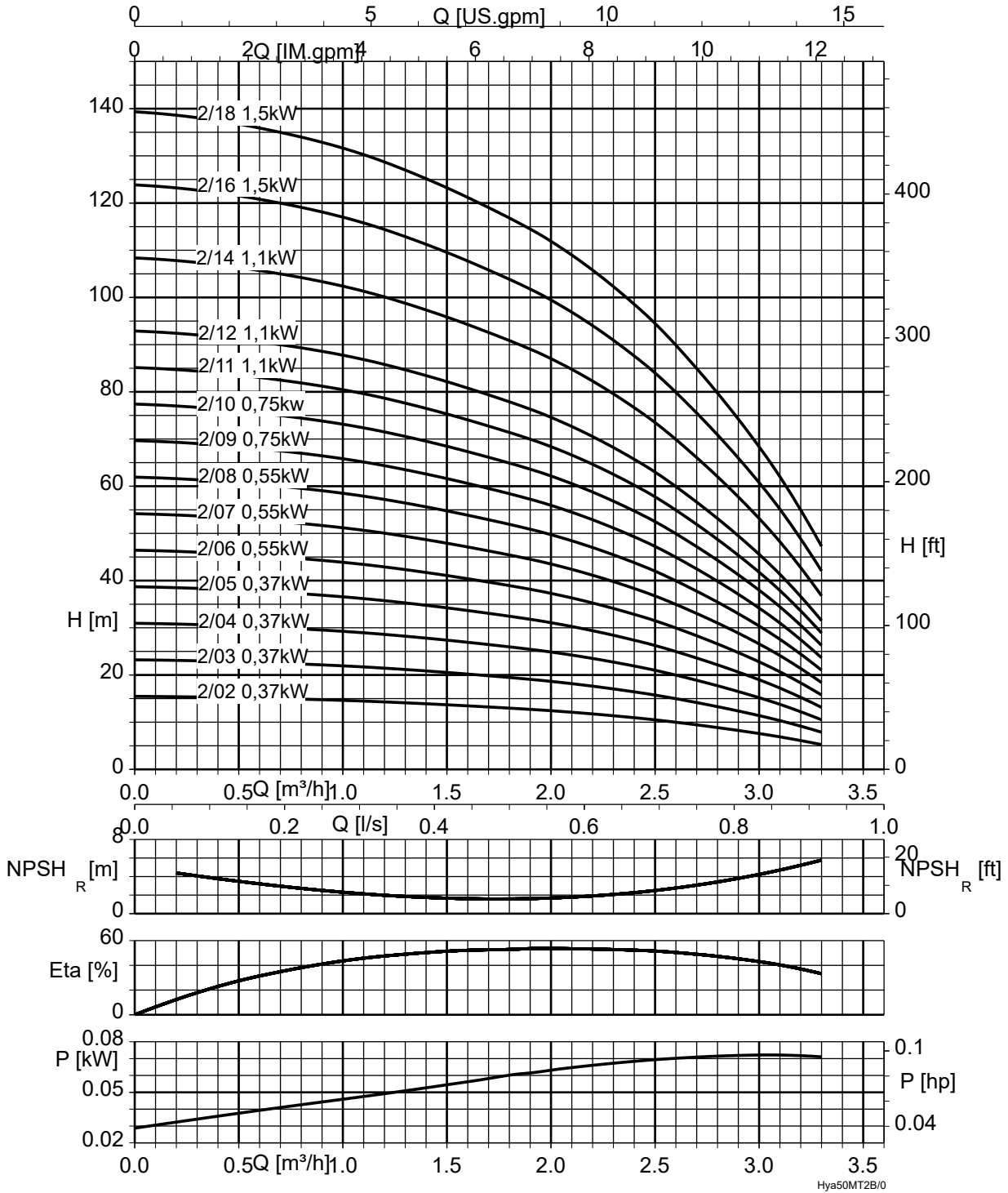
Selection chart

DeltaSolo D, n = 2900 rpm



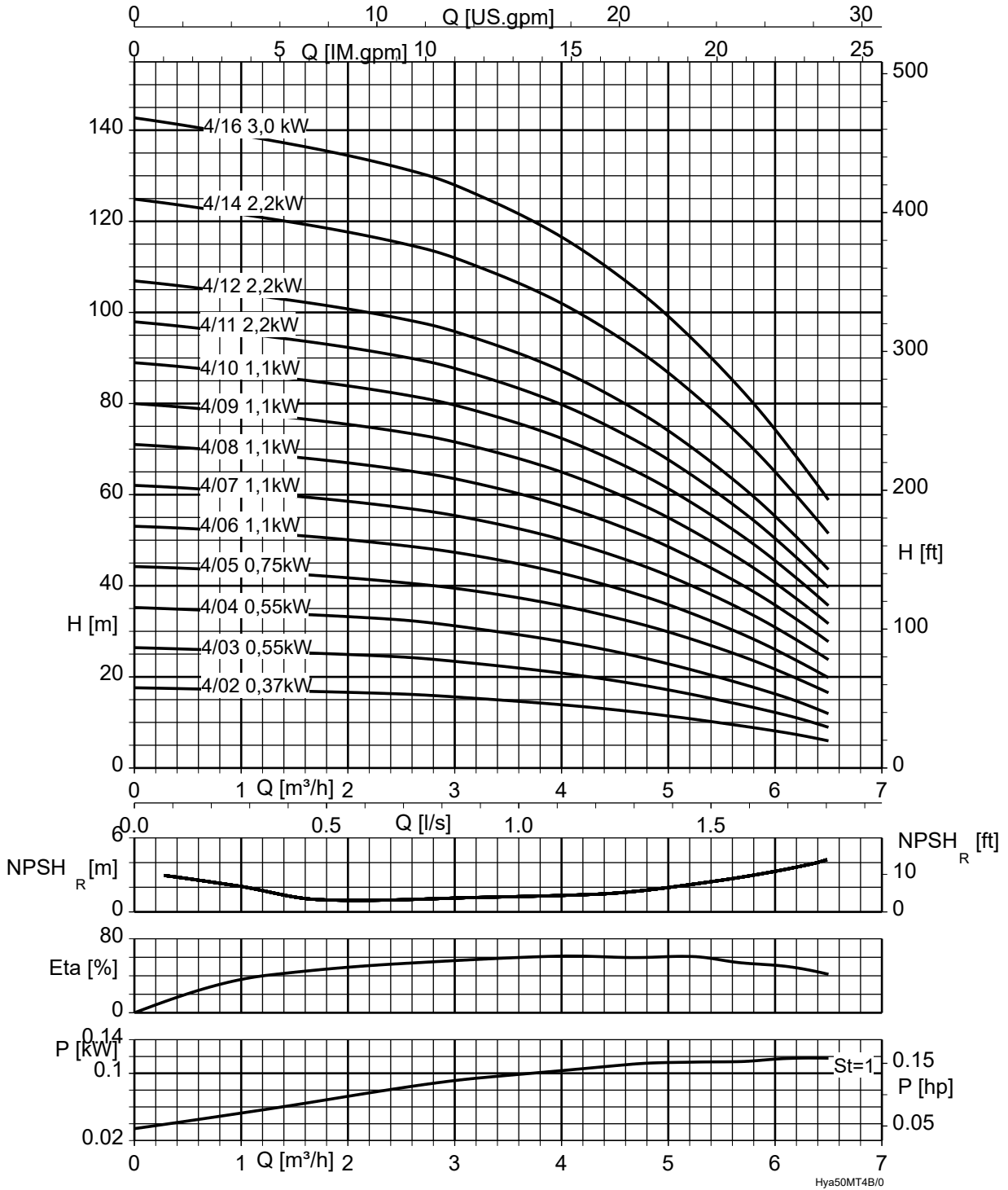
Characteristic curves

DeltaSolo D with Movitec 2B, n = 2900 rpm



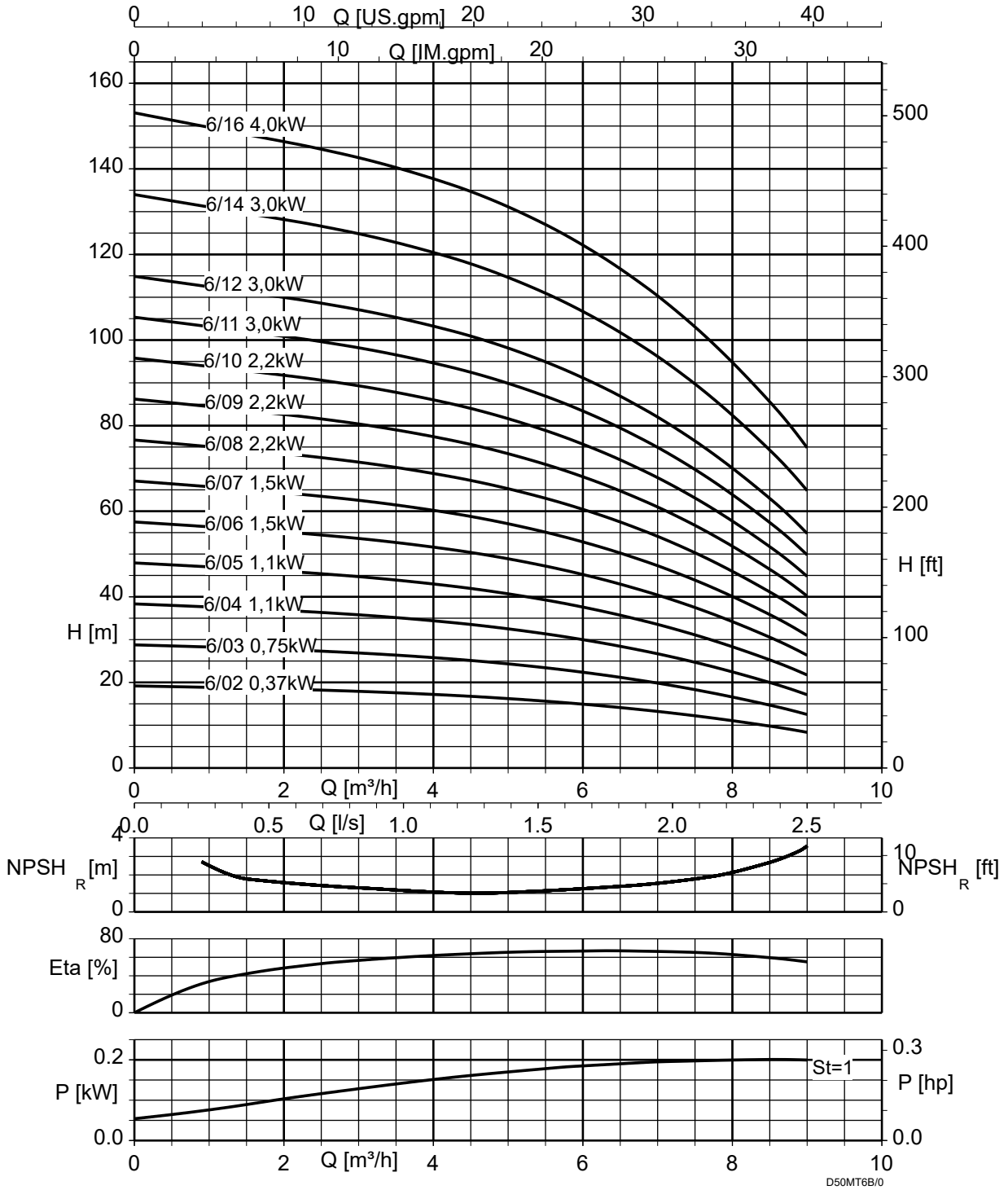
St = 1 | P per stage

DeltaSolo D with Movitec 4B, n = 2900 rpm



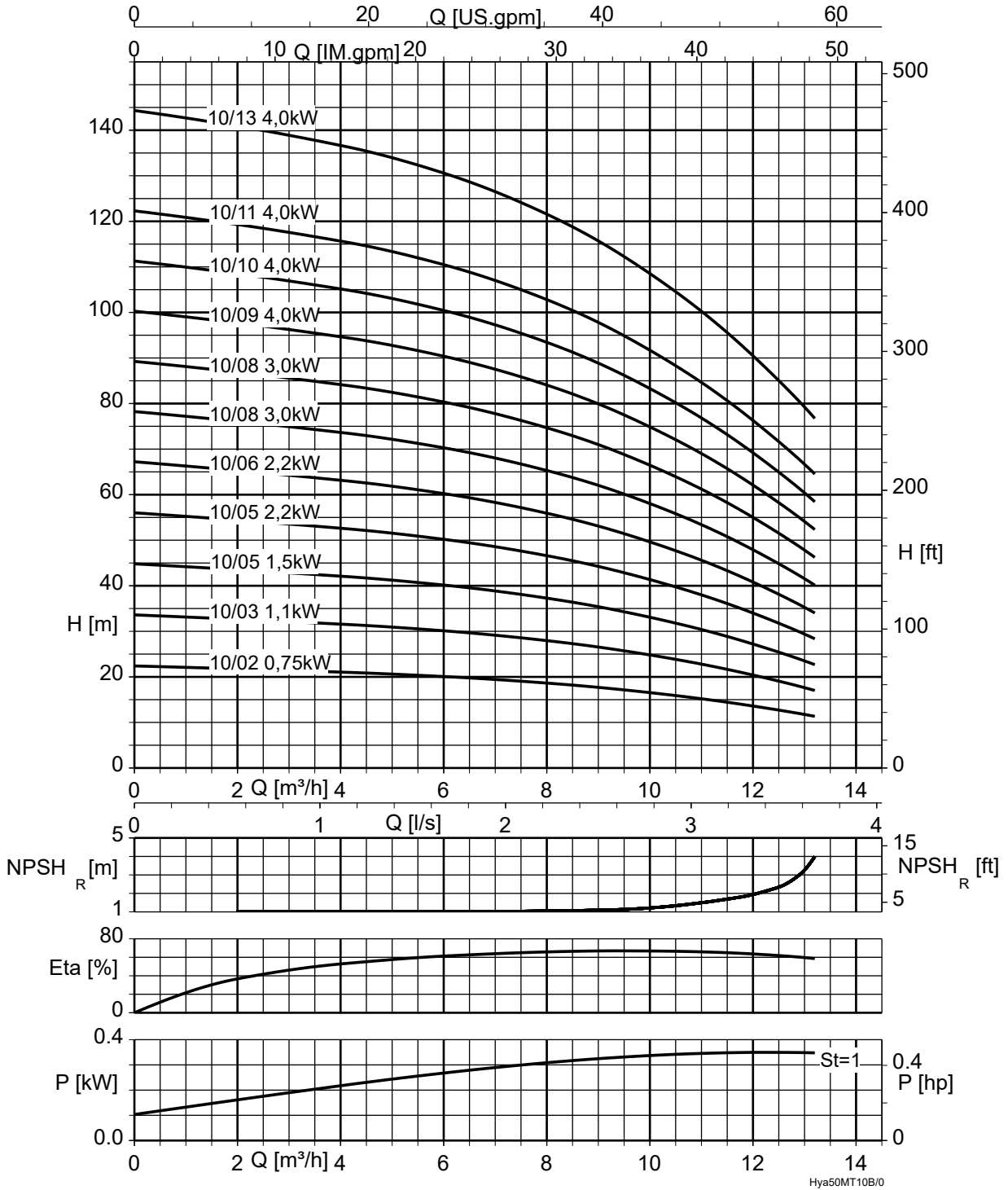
St = 1 | P per stage

DeltaSolo D with Movitec 6B, n = 2900 rpm



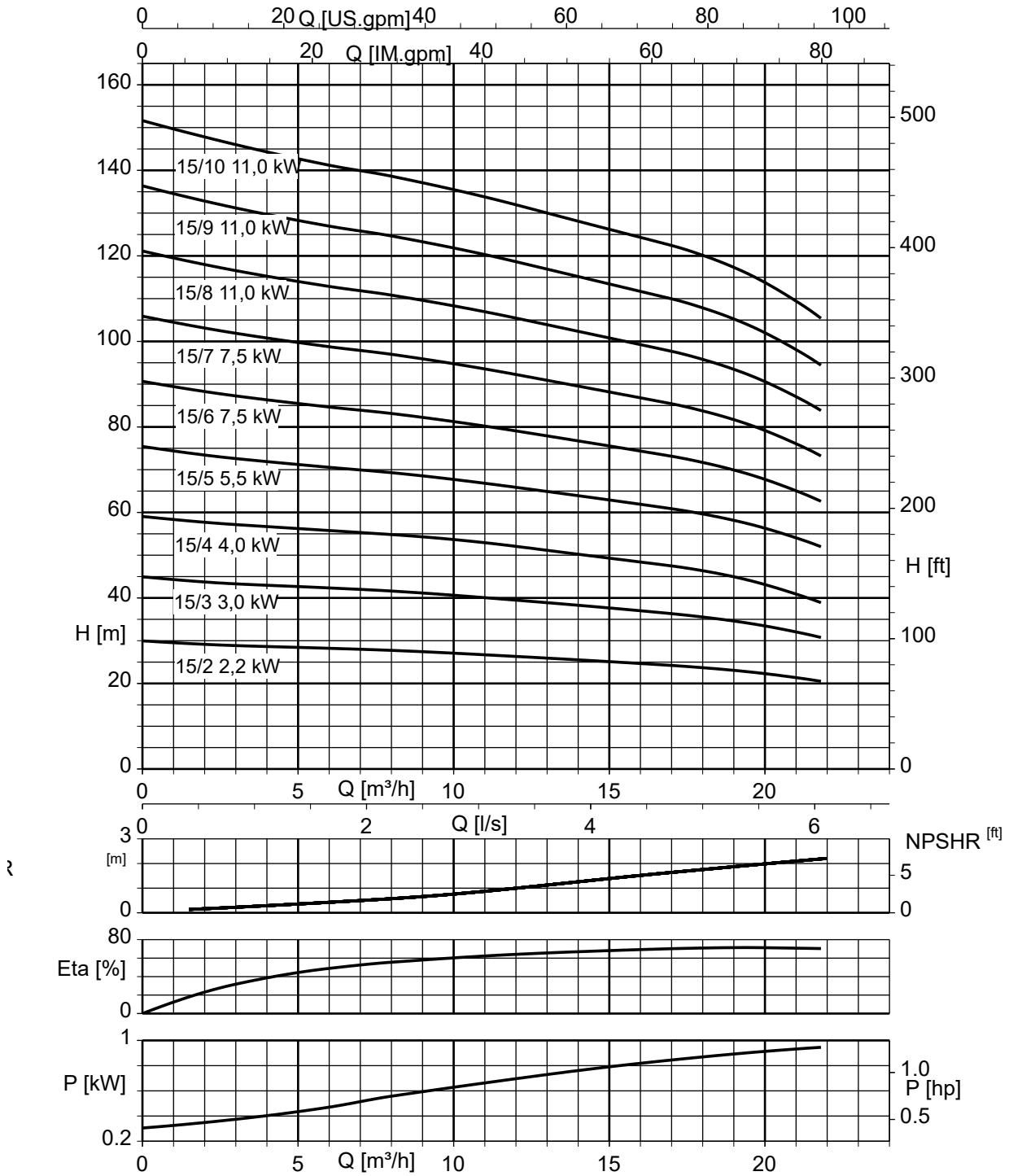
St = 1 | P per stage

DeltaSolo D with Movitec 10B, n = 2900 rpm



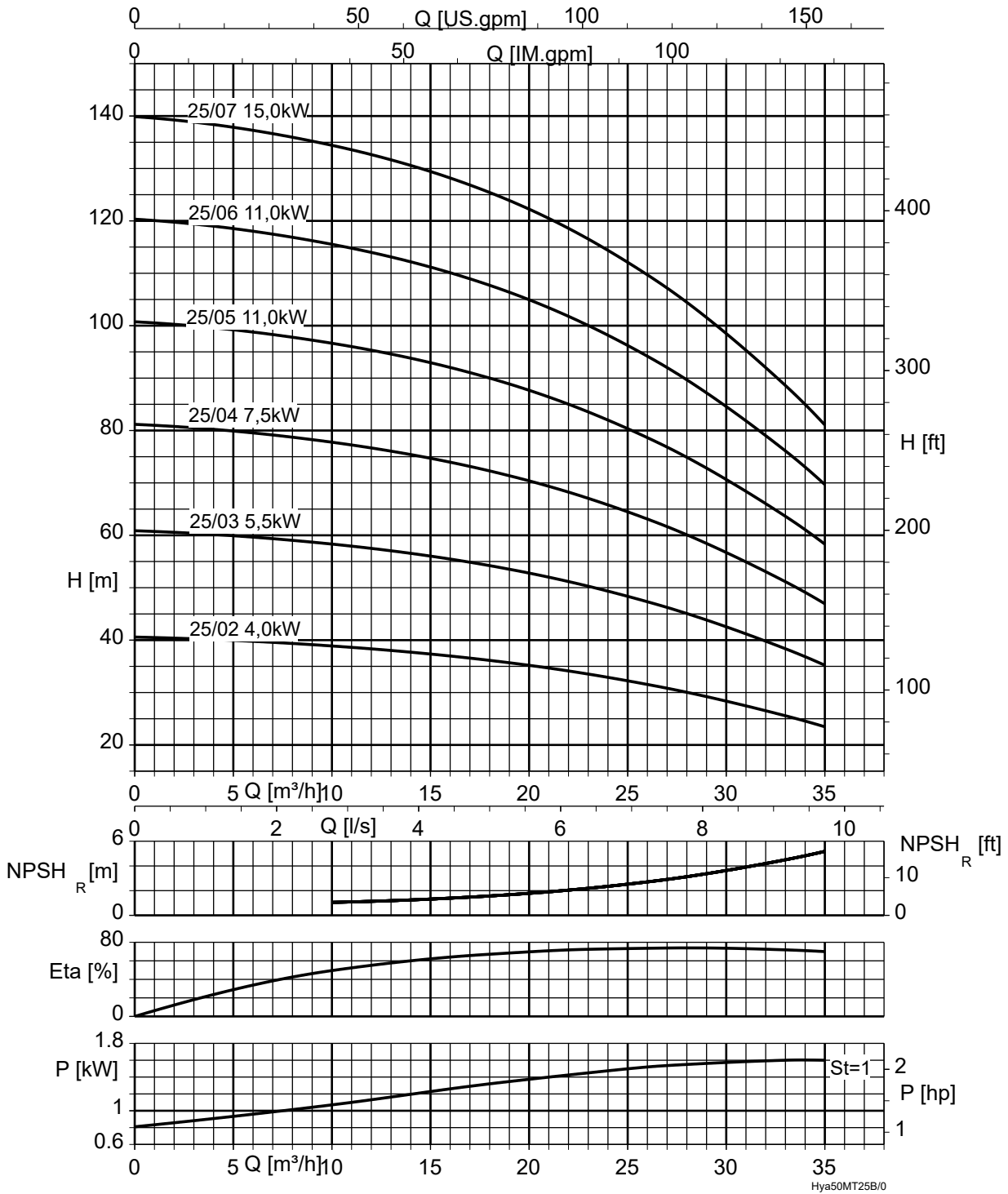
St = 1 | P per stage

DeltaSolo D with Movitec 15C, n = 2900 rpm



St = 1 | P per stage

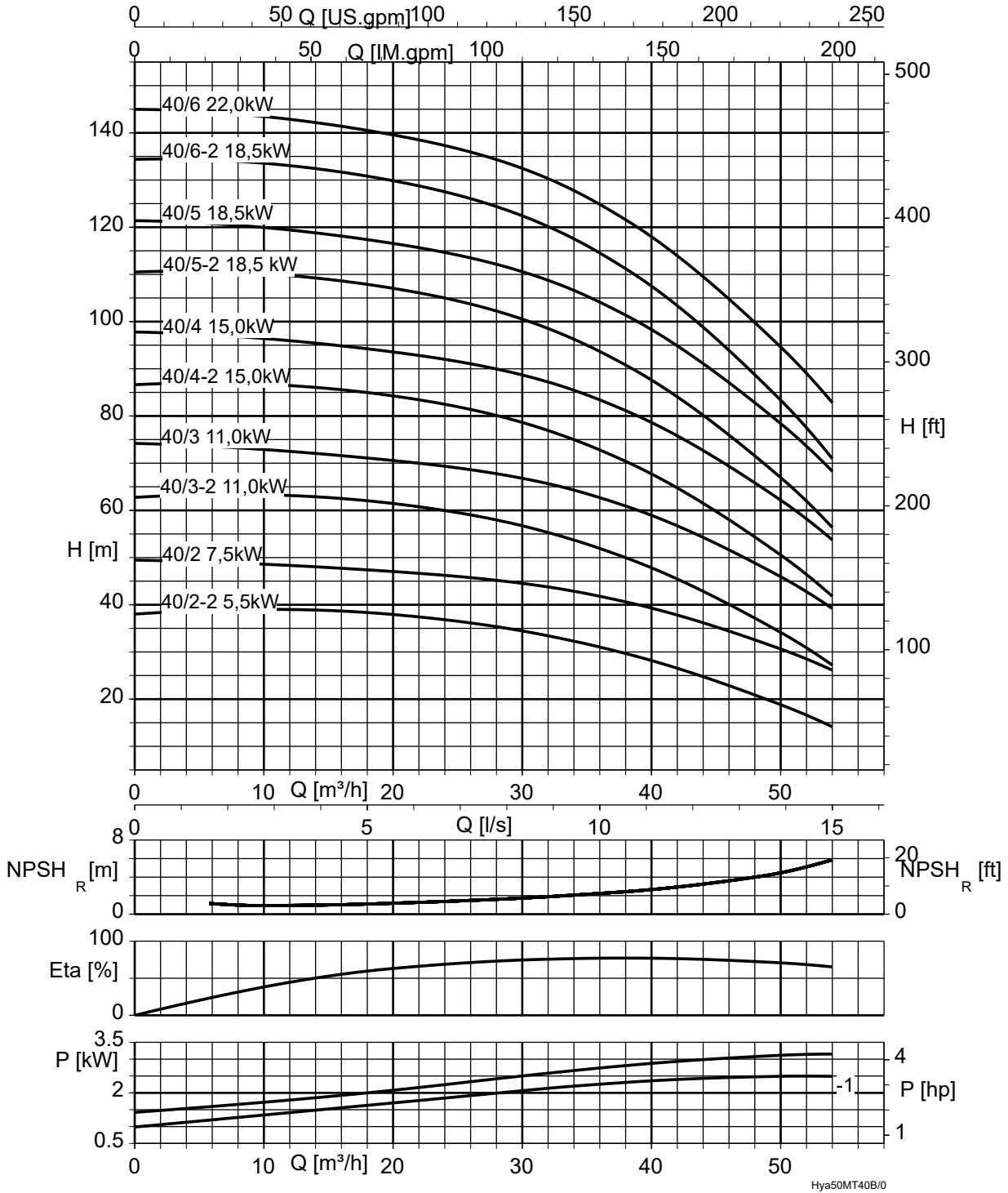
DeltaSolo D with Movitec 25B, n = 2900 rpm



St = 1 | P per stage

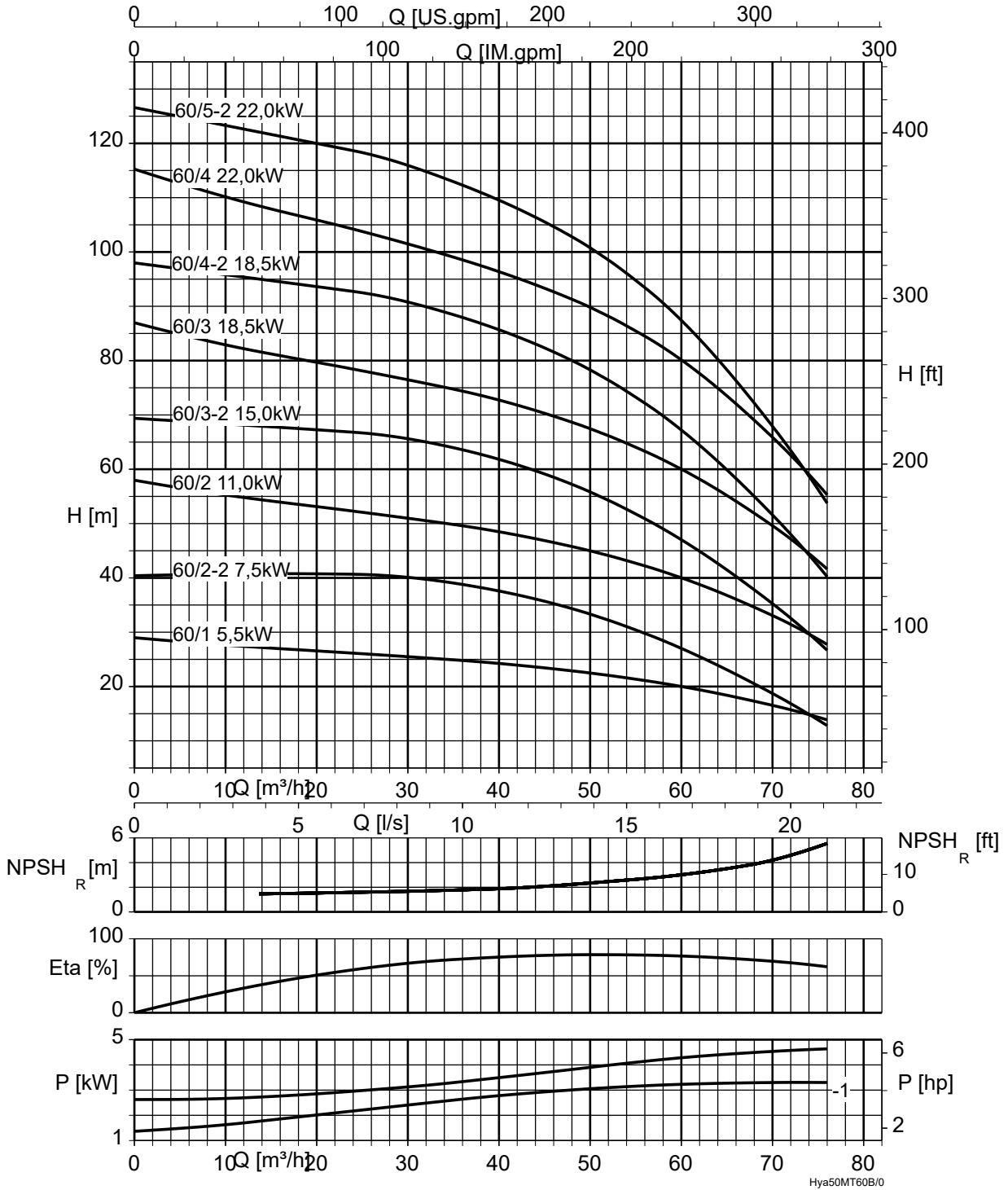


DeltaSolo D with Movitec 40B, n = 2900 rpm



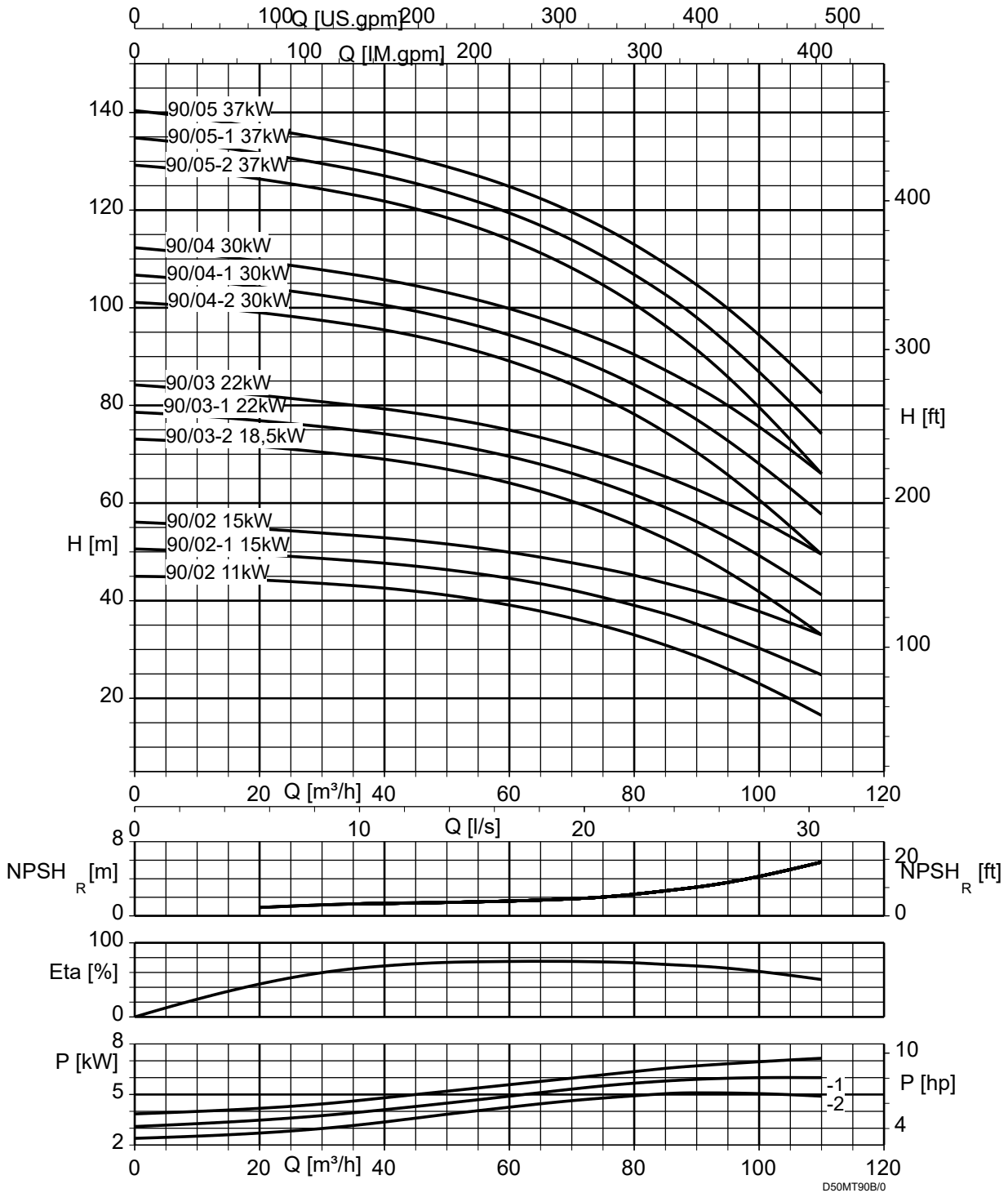
St = 1	P per stage	St = -1	P per stage with a smaller impeller
--------	-------------	---------	-------------------------------------

DeltaSolo D with Movitec 60B, n = 2900 rpm

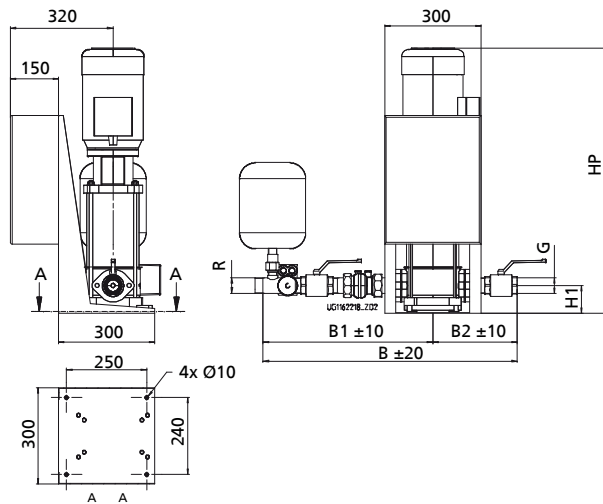


St = 1 | P per stage | St = -1 | P per stage with a smaller impeller

DeltaSolo D with Movitec 90B, n = 2900 rpm



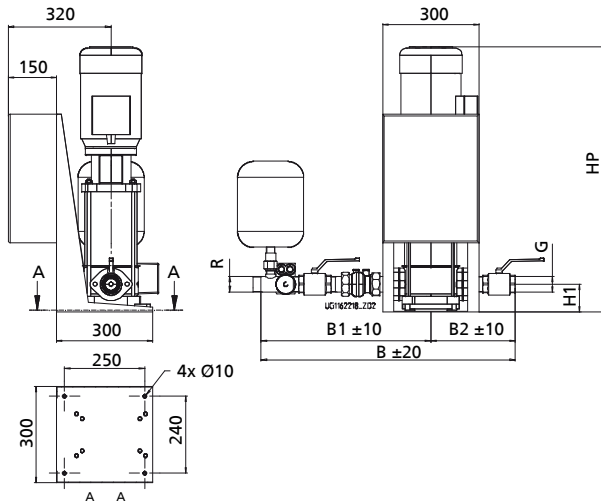
St = 1   P per stage	St = -1   P per stage with a smaller impeller
----------------------	---

**Dimensions**
**DeltaSolo D with Movitec 2B / 4B**

**Fig. 2:** Dimensions of DeltaSolo D with Movitec 2B / 4B [mm]

- External thread R to DIN EN 10226
- Internal thread G to DIN ISO 228-1

**Table 5:** Dimensions

Size	Connection		Pump					Control unit	Distance
	Suction side	Discharge side	HP	H1	B	B1	B2	HS x WS x DS [mm]	E [mm]
			[mm]	[mm]	[mm]	[mm]	[mm]		
1/0202 B	G 1	R 1	472	50	684	476	208	260 x 190 x 158	251
1/0203 B	G 1	R 1	493	50	684	476	208	260 x 190 x 158	251
1/0204 B	G 1	R 1	515	50	684	476	208	260 x 190 x 158	251
1/0205 B	G 1	R 1	536	50	684	476	208	260 x 190 x 158	251
1/0206 B	G 1	R 1	558	50	684	476	208	260 x 190 x 158	251
1/0207 B	G 1	R 1	579	50	684	476	208	260 x 190 x 158	251
1/0208 B	G 1	R 1	601	50	684	476	208	260 x 190 x 158	251
1/0209 B	G 1	R 1	676	50	684	476	208	260 x 190 x 158	251
1/0210 B	G 1	R 1	698	50	684	476	208	260 x 190 x 158	251
1/0211 B	G 1	R 1	719	50	684	476	208	260 x 190 x 158	251
1/0212 B	G 1	R 1	741	50	684	476	208	260 x 190 x 158	251
1/0214 B	G 1	R 1	784	50	684	476	208	260 x 190 x 158	286
1/0216 B	G 1	R 1	833	50	684	476	208	260 x 190 x 158	286
1/0218 B	G 1	R 1	833	50	684	476	208	260 x 190 x 158	286
1/0402 B	G 1	R 1	472	50	728	502	226	260 x 190 x 158	251
1/0403 B	G 1	R 1	493	50	728	502	226	260 x 190 x 158	251
1/0404 B	G 1	R 1	515	50	728	502	226	260 x 190 x 158	251
1/0405 B	G 1	R 1	590	50	728	502	226	260 x 190 x 158	251
1/0406 B	G 1	R 1	612	50	728	502	226	260 x 190 x 158	251
1/0407 B	G 1	R 1	633	50	728	502	226	260 x 190 x 158	251
1/0408 B	G 1	R 1	661	50	728	502	226	260 x 190 x 158	286
1/0409 B	G 1	R 1	682	50	728	502	226	260 x 190 x 158	286
1/0410 B	G 1	R 1	704	50	728	502	226	260 x 190 x 158	286
1/0411 B	G 1	R 1	754	50	728	502	226	260 x 190 x 158	286
1/0412 B	G 1	R 1	776	50	728	502	226	260 x 190 x 158	286
1/0414 B	G 1	R 1	819	50	728	502	226	260 x 190 x 158	286
1/0416 B	G 1	R 1	904	50	728	502	226	260 x 190 x 158	286

**DeltaSolo D with Movitec 6B / 10B**

**Fig. 3: Dimensions of DeltaSolo D with Movitec 6B / 10B [mm]**

- External thread R to DIN EN 10226
- Internal thread G to DIN ISO 228-1

**Table 6: Dimensions**

Size	Connection		Pump					Control unit	Distance
	Suction side	Discharge side	HP	H1	B	B1	B2	HS x WS x DS	E
			[mm]	[mm]	[mm]	[mm]	[mm]	[mm]	[mm]
1/0602 B	G 1 1/4	R 1 1/4	479	50	728	502	226	260 x 190 x 158	251
1/0603 B	G 1 1/4	R 1 1/4	558	50	728	502	226	260 x 190 x 158	251
1/0604 B	G 1 1/4	R 1 1/4	583	50	728	502	226	260 x 190 x 158	251
1/0605 B	G 1 1/4	R 1 1/4	608	50	728	502	226	260 x 190 x 158	286
1/0606 B	G 1 1/4	R 1 1/4	639	50	728	502	226	260 x 190 x 158	286
1/0607 B	G 1 1/4	R 1 1/4	664	50	728	502	226	260 x 190 x 158	286
1/0608 B	G 1 1/4	R 1 1/4	718	50	728	502	226	260 x 190 x 158	286
1/0609 B	G 1 1/4	R 1 1/4	743	50	728	502	226	260 x 190 x 158	286
1/0610 B	G 1 1/4	R 1 1/4	768	50	728	502	226	260 x 190 x 158	286
1/0611 B	G 1 1/4	R 1 1/4	835	50	728	502	226	260 x 190 x 158	286
1/0612 B	G 1 1/4	R 1 1/4	835	50	728	502	226	400 x 300 x 150	286
1/0614 B	G 1 1/4	R 1 1/4	860	50	728	502	226	260 x 190 x 158	286
1/0616 B	G 1 1/4	R 1 1/4	910	50	728	502	226	260 x 190 x 158	286
1/1002 B	G 1 1/2	R 1 1/2	608	80	818	554	264	260 x 190 x 158	251
1/1003 B	G 1 1/2	R 1 1/2	634	80	818	554	264	260 x 190 x 158	251
1/1004 B	G 1 1/2	R 1 1/2	666	80	818	554	264	260 x 190 x 158	286
1/1005 B	G 1 1/2	R 1 1/2	707	80	818	554	264	260 x 190 x 158	286
1/1006 B	G 1 1/2	R 1 1/2	734	80	818	554	264	260 x 190 x 158	286
1/1007 B	G 1 1/2	R 1 1/2	815	80	818	554	264	260 x 190 x 158	286
1/1008 B	G 1 1/2	R 1 1/2	842	80	818	554	264	260 x 190 x 158	286
1/1009 B	G 1 1/2	R 1 1/2	878	80	818	554	264	260 x 190 x 158	305
1/1010 B	G 1 1/2	R 1 1/2	905	80	818	554	264	260 x 190 x 158	305
1/1011 B	G 1 1/2	R 1 1/2	931	80	818	554	264	260 x 190 x 158	328
1/1013 B	G 1 1/2	R 1 1/2	1089	80	818	554	264	325 x 250 x 170	328

DeltaSolo D with Movitec 15C

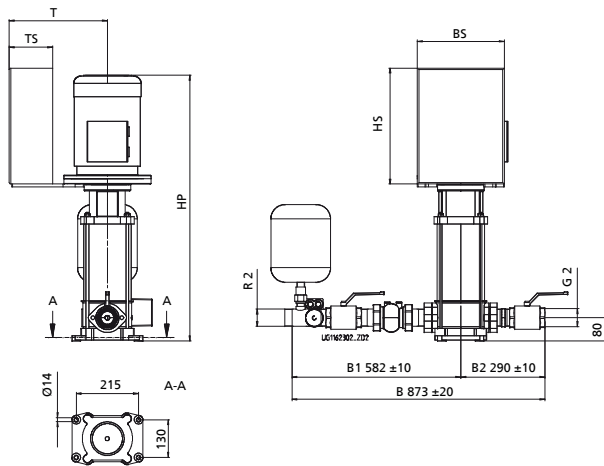


Fig. 4: Dimensions of DeltaSolo D with Movitec 15C [mm]

- External thread R to DIN EN 10226
- Internal thread G to DIN ISO 228-1

Table 7: Dimensions

Size	Connection		Pump					Control unit	Distance
	Suction side	Discharge side	HP	H1	B	B1	B2	HS x WS x DS [mm]	T [mm]
			[mm]	[mm]	[mm]	[mm]	[mm]		
1/1502 C	G 2	R 2	628	80	873	582	290	400 x 300 x 150	286
1/1503 C	G 2	R 2	709	80	873	582	290	400 x 300 x 150	286
1/1504 C	G 2	R 2	746	80	873	582	290	400 x 300 x 150	305
1/1505 C	G 2	R 2	877	80	873	582	290	600 x 400 x 200	328
1/1506 C	G 2	R 2	903	80	873	582	290	600 x 400 x 200	328
1/1507 C	G 2	R 2	930	80	873	582	290	600 x 400 x 200	328
1/1508 C	G 2	R 2	956	80	873	582	290	600 x 400 x 200	328
1/1509 C	G 2	R 2	1146	80	873	582	290	600 x 400 x 200	431
1/1510 C	G 2	R 2	1172	80	873	582	290	600 x 400 x 200	431

DeltaSolo D with Movitec 25B / 40B / 60B

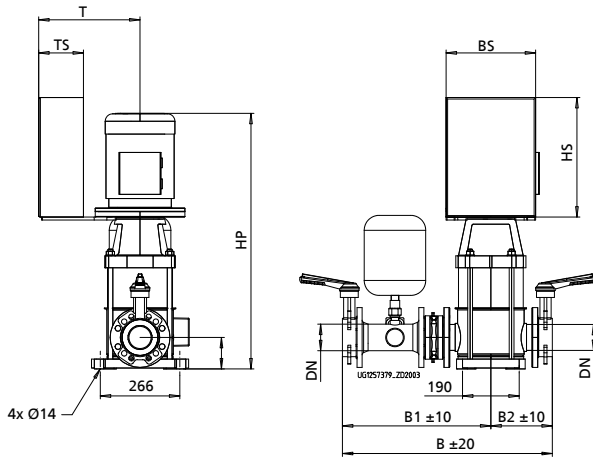


Fig. 5: Dimensions of DeltaSolo D with Movitec 25B / 40B / 60B [mm]

- Flanges drilled to EN 1092-1 PN 16
- Butterfly valves and dry running protection equipment are supplied but not fitted.

Table 8: Dimensions

Size	Connection		Pump					Control unit	Distance
	Suction side	Discharge side	HP	H1	B	B1	B2	HS x WS x DS	T
			[mm]	[mm]	[mm]	[mm]	[mm]	[mm]	[mm]
1/2502 B	DN 65	DN 65	818	105	700	494	206	400 x 300 x 150	305
1/2503 B	DN 65	DN 65	998	105	700	494	206	600 x 400 x 200	328
1/2504 B	DN 65	DN 65	1064	105	700	494	206	600 x 400 x 200	328
1/2505 B	DN 65	DN 65	1292	105	700	494	206	600 x 400 x 200	431
1/2506 B	DN 65	DN 65	1357	105	700	494	206	600 x 400 x 200	431
1/2507 B	DN 65	DN 65	1422	105	700	494	206	600 x 400 x 200	431
1/4002-2 B	DN 80	DN 80	1002	140	748	520	228	600 x 400 x 200	328
1/4002 B	DN 80	DN 80	1002	140	748	520	228	600 x 400 x 200	328
1/4003-2 B	DN 80	DN 80	1261	140	748	520	228	600 x 400 x 200	431
1/4003 B	DN 80	DN 80	1261	140	748	520	228	600 x 400 x 200	431
1/4004-2 B	DN 80	DN 80	1339	140	748	520	228	600 x 400 x 200	431
1/4004 B	DN 80	DN 80	1339	140	748	520	228	600 x 400 x 200	431
1/4005-2 B	DN 80	DN 80	1499	140	748	520	228	600 x 400 x 200	431
1/4005 B	DN 80	DN 80	1499	140	748	520	228	600 x 400 x 200	431
1/4006-2 B	DN 80	DN 80	1577	140	748	520	228	600 x 400 x 200	431
1/4006 B	DN 80	DN 80	1577	140	748	520	228	600 x 400 x 200	431
1/6001 B	DN 100	DN 100	942	140	767	533	234	600 x 400 x 200	328
1/6002-2 B	DN 100	DN 100	1020	140	767	533	234	600 x 400 x 200	328
1/6002 B	DN 100	DN 100	1183	140	767	533	234	600 x 400 x 200	431
1/6003-2 B	DN 100	DN 100	1261	140	767	533	234	600 x 400 x 200	431
1/6003 B	DN 100	DN 100	1341	140	767	533	234	600 x 400 x 200	431
1/6004-2 B	DN 100	DN 100	1421	140	767	533	234	600 x 400 x 200	431
1/6004 B	DN 100	DN 100	1421	140	767	533	234	600 x 400 x 200	431
1/6005-2 B	DN 100	DN 100	1499	140	767	533	234	600 x 400 x 200	431

DeltaSolo D with Movitec 90B

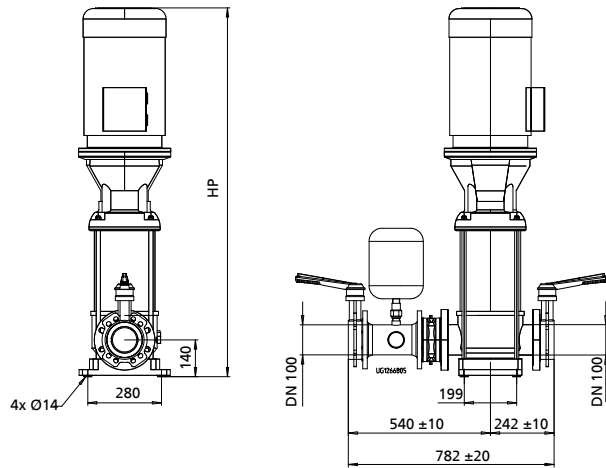


Fig. 6: Dimensions of DeltaSolo D with Movitec 90B [mm]

- Flanges drilled to EN 1092-1 PN 16
- Butterfly valves and dry running protection equipment are supplied but not fitted.
- Control cabinet for wall mounting

Table 9: Dimensions

Size	Connection		Pump					Control unit	Distance
	Suction side	Discharge side	HP	H1	B	B1	B2	HS x WS x DS [mm]	T [mm]
			[mm]	[mm]	[mm]	[mm]	[mm]		
1/9002-2 B	DN 100	DN 100	1282	140	782	533	242	600 x 400 x 200	-
1/9002-1 B	DN 100	DN 100	1282	140	782	533	242	600 x 400 x 200	-
1/9002 B	DN 100	DN 100	1282	140	782	533	242	600 x 400 x 200	-
1/9003-1 B	DN 100	DN 100	1484	140	782	533	242	600 x 400 x 200	-
1/9003-2 B	DN 100	DN 100	1484	140	782	533	242	600 x 400 x 200	-
1/9003 B	DN 100	DN 100	1484	140	782	533	242	600 x 400 x 200	-
1/9004-1 B	DN 100	DN 100	1713	140	782	533	242	600 x 400 x 200	-
1/9004-2 B	DN 100	DN 100	1713	140	782	533	242	600 x 400 x 200	-
1/9004 B	DN 100	DN 100	1713	140	782	533	242	600 x 400 x 200	-
1/9005-2 B	DN 100	DN 100	1822	140	782	533	242	600 x 400 x 200	-
1/9005-1 B	DN 100	DN 100	1822	140	782	533	242	600 x 400 x 200	-
1/9005 B	DN 100	DN 100	1822	140	782	533	242	600 x 400 x 200	-




### Scope of supply

Depending on the model, the following items are included in the scope of supply:

- Pressure booster system
  - 1 vertical Movitec high-pressure centrifugal pump
  - Discharge-side piping
  - Check valve
  - Shut-off valves
  - Discharge-side, direct-flow membrane-type accumulator
  - Pressure switch on the discharge side
  - Pressure gauge
  - Vibration damping
- Control unit
  - Power supply connection
  - Motor protection switch
  - Manual-0-automatic selector switch
  - Terminal strip with markings for all connections
  - Volt-free contacts for operation, fault, lack of water
  - Colour LED indicating lack of water (red)
  - Colour LED indicating a fault (amber)

### Accessories

 See the separate type series booklet Accessories for Pressure Booster Systems 1954.5.







**KSB SE & Co. KGaA**  
Johann-Klein-Straße 9 • 67227 Frankenthal (Germany)  
Tel. +49 6233 86-0  
[www.ksb.com](http://www.ksb.com)